



Charleston Aluminum Pole Utility Arlington FCO LED



POLE ATTRIBUTES:

Description The lighting post shall be all aluminum, one-piece construction, with a classic tapered and fluted base design.

Materials The base and fluted tapered cast shaft shall be heavy wall, cast aluminum produced from certified ASTM 356.1 Ingot per ASTM B-179-95a or ASTM B26-95. The straight shaft shall be extruded from aluminum, ASTM 6061 alloy, heat treated to a T6 temper. The tapered shaft shall be extruded from aluminum ASTM 6063 alloy, spun to a tapered shape, then heat treated to a T6 temper. All hardware shall be tamper resistant stainless steel.

Construction The shaft shall be double welded to the base casting and shipped as one piece for maximum structural integrity. The shaft shall be welded inside the base casting at the top of the access door, and externally where the shaft exits the base. All welding shall be per ANSI/AWS.

Dimensions The post shall be X'-XX" in height with a 12" or 16" diameter base. At the top of the post, an integral tenon with a transitional donut shall be provided for luminaire mounting.

Installation The post has an option to have four L-Type hot dip galvanized anchor bolts shipped with it. A door shall be provided in the base for anchorage and wiring access. A grounding screw shall be provided inside the base opposite the door.

FIXTURE ATTRIBUTES:

GENERAL DESCRIPTION The Utility Arlington® FCO LED is designed for ease of maintenance with the plug-in electrical module common to each of the luminaires in HoloPhane's Utility Luminaire Series. A precision optical system maximizes post spacings while maintaining uniform illumination.

OPTICAL SYSTEM The optical system consists of precisely engineered LED circuit board located in the top cover. A gasket between the cover and ring along with a flat glass plate and gasket beneath the reflector create a sealed optical compartment that meets an IP rating. Optics designed to provide and I.E.S. Asymmetric or Symmetric full cutoff distribution are available.

LUMINAIRE HOUSING The Luminaire housing, cast of aluminum, anchors the optical system and provides an enclosure for the plug in electrical module. The electrical enclosure conforms to an IP55 rating. For use with units with an E.E.I.-N.E.M.A. twist lock photocell receptacle, the housing contains a glass "window" to allow light to reach the cell. The nickel-plated lamp grip socket and the three-station incoming line terminal block are pre-wired to a five-conductor receptacle for ease in connecting the electrical module. A slipfitter will accept a 3" high by 2 7/8" to a 3 1/8" O.D. pole tenon.

LUMINAIRE HOUSING DOOR Cast of aluminum, the housing door is hinged and latched to the housing. The door forms the mount for the electrical module, and allows easy access during maintenance.

ELECTRICAL MODULE The electrical components are mounted to an aluminum plate that is removable with standard tools. A matching five-plug connector connects the electrical components to the surge protector for quick replacement. For Photoelectric operation, the electrical module is provided with an E.E.I.-N.E.M.A. Twist lock photocell receptacle.

TOP COVER The top cover, cast of aluminum, is attached to the top ring of the Luminaire

housing by a stainless steel hinge pin. The cover is latched by an over center, positive action, stainless steel latch which allows tool-less entry to the lamp chamber for re-lamping.

DRIVER (Refer to the Driver Data Sheet for specific operating characteristics). 50 or 60 HZ voltage sensing 120-277V >90% efficient electronic. Potted for increased thermal management. Removable through hinged door housing.

FINISH The Luminaire is finished with polyester powder paint applied to ensure maximum durability.

UL The Luminaire is UL listed as suitable for wet location at a maximum of 40 degrees C ambient temperature. Luminaire Mounts to P07 (3X3) Tenon Configure Entire Pole Package Assmembly For Pole and Arm Combinations



Catalog Number AUCL2 P30 40K AS BK L5 S AO CHA 14 L4E 12_1 P07 ABG BK R162C FGIUS_S BK	
Type:	Notes: 2308-17-11423

SPECIFICATIONS

FIXTURE

- [AUCL2 P30 40K AS BK L5 S AO]
- Prefix: AUCL2
- Source & Wattage: LED Performance Package P30
- Color Temperature: 4000 series CCT
- Voltage: Auto-sensing voltage (120 thru 277)
- Finish: Black
- Optics: Type 5 Full Cutoff LED distribution
- Finial: Spike Finial
- Prewired Leads: None
- Photocontrol Receptacle: None
- Photocontrol: None
- NEMA Label: None
- Part Night Dimming: None
- Surge Protection: None
- Adjustable Output: Field Adjustable Output
- Factory Programmed Driver: None
- Shield: None
- Surge Protection Accessory: None
- Shield Accessory: None
- Luminaire EPA: 1.38
- Luminaire Weight: 47

POLE

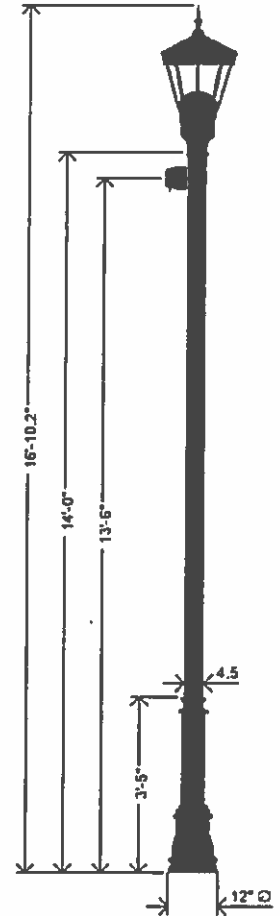
- Charleston Aluminum Pole
- [CHA 14 L4E 12_1 P07 ABG BK R162C]
- Prefix: Charleston, Aluminum Pole
- Height: 14 feet (Actual Height: 14'-0")
- Shaft Style: L4E SiteLink 4.55 inch Fluted, .156 wall
- Base: 12 Inch Round Base for SiteLink
- Tenon: 3 X 3 Tenon
- Pole Mounting: Anchor bolts; galvanized steel
- Finish: Powder Coat Paint Finish, Black
- Breakaway Kit: None
- Breakaway Kit Finish: None
- Base EPA: 3.075
- Base Weight: 50
- Anchor Bolt: AB-31-4

ACCESSORY

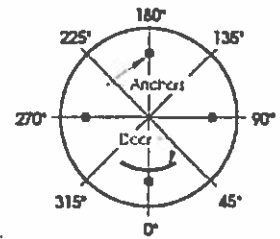
- Weatherproof Receptacle; Height Mounted at 13'-6"
- [FGIUS_S BK]
- Receptacle Type: Small, In-Use Wet Location Cover
- Finish: Black

Your Assembly Wind Load status: Pass
 Passed for wind speed: 90 MPH
 For further details, review the Structural Analysis Report.

Charleston Aluminum Pole
 Utility Arlington FCO LED



Anchorage/Orientation Plan



Customer Approval:

Job Name: Rochelle Post Top 2018
 Client Name:

signature _____ date _____

Created By: Sue Iselli Date: 30-Apr-18

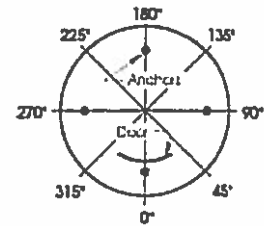
<u>*Height</u>	<u>Orientation</u>	<u>Feature Description</u>
13'-6"	180°	FGIUS_S BK Receptacle



The hand hole is located at zero (0) degrees.
Height from bottom of base / anchor plate.

<u>Post</u>	<u>Height</u>
CHA 14 L4E 12_1 P07 ABG BK R162C	14'-0"

Anchorage/Orientation Plan



Customer Approval:

Job Name: Rochelle Post Top 2018

Client Name: _____

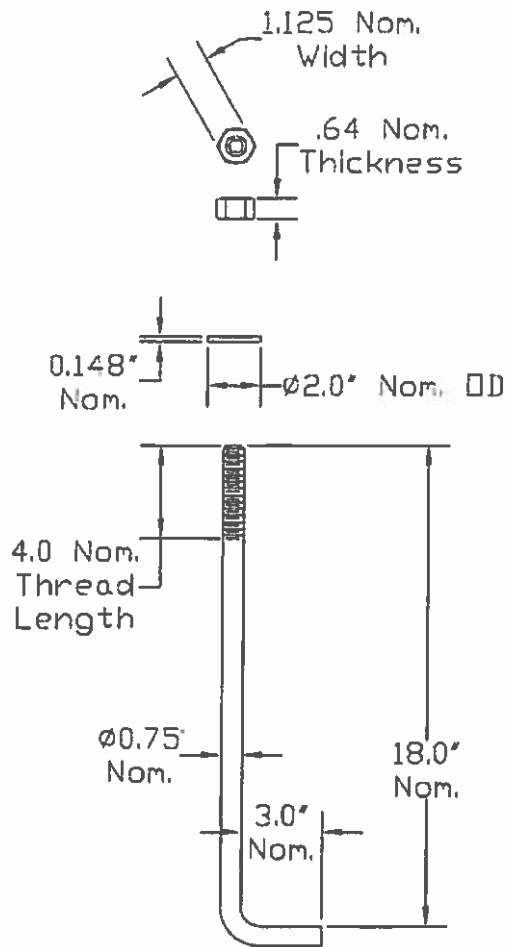
signature

date

Created By: Sue Iselli

Date: 30-Apr-18

AB-31-X



Specifications

AB-31-X (X = quantity of anchor bolt packages)

A single anchor bolt package consists of: one (1) bolt,
two (2) nuts,
two (2) flat washers

Note: on decorative poles, only one nut and one flat washer are used.
Check the pole anchor bolt template supplied for details.

Material: Steel anchor bolts shall be AASHTO M314 or ASTM F1554 - Grade 55 (55,000 psi). Nuts and washers shall be per AASHTO M314-90 or ASTM F 1554.

Finish: Hot dip galvanized (all parts) per ASTM A153

Catalog Number	
Notes	Type

AUCL2

Utility Arlington Series Luminaire Full Cutoff LED2



Mechanical

- Heavy grade A360 cast aluminum (< 1% copper)
- Tool-less access with a spring-loaded latch
- Hidden hinge door allowing the door to swing open and remain open
- Optional internal or external NEMA twist lock photocontrol receptacle. Housing contains a tempered glass window to allow light to reach the cell for internal versions.
- Mount to slip-fitter that will accept 3" high by 2-7/8" to 3-1/8" O.D. pole tenon
- Decorative top cover contains stainless steel hinge which secures entry the LED optical chamber
- Polyester power coat paint to ensure maximum durability
- Finish meets 10,000-hour salt spray testing
- Holophane and RAL Classic finishes.

Electrical

- All surge protection meets ANSI/IEEE C62.41.2 10kV/10kA.
- Standard SPD meets 10kV/5kA per ANSI C136.2-2015.
- 20KV Option meets 20kV/10kA per ANSI C136.2-2015.
- Quick disconnect connectors for ease of installation and maintenance.
- Three pole terminal block is standard, with optional prewired leads for ease of installation
- LED drivers meets maximum total harmonic distortion (THD) of 20% and are ROHS compliant. Minimum operating temperature is -40C. Electronic driver has an estimated minimum life of 100,000 hours at 25°C.

Optical

- IP65 rated optical compartment
- LED circuit board located in the top cover
- Asymmetric or Symmetric full cutoff distributions
- 2700K, 3000K, 4000K, and 5000K CCT
- 70CRI Standard

Control Options

- Field Adjustable Output (AO) module - Onboard device that adjusts the light output and input wattage to meet site specific requirements. The AO module is preset at the factory to position number 8 (see chart).
- Wireless remote control for monitoring performance and/or maintenance of the system - ROAM
- Factory Programmed Driver (FPDxx) - Customize lumen output prior to manufacturing and still enables control leads so other options can also be used
- Long Life Photocontrols (PCLL) - 20 Year Life
- 3 and 7 pin photocontrol receptacles internally (P3, P7) or externally (P3E, P7E) mounted
- Part-night dimming (PND) enables luminaire to monitor and adjust 50% lumens based on season and geographic location, 8-day rolling average

Testing/Compliance

- UL 1598 - Wet Locations Safety Listing
- Suitable for ambient temperatures -40°C to 40°C

Manufacturing

- Manufactured in Crawfordsville, Indiana, ARRA compliant
- 100% electrical testing on all luminaires before shipment
- Ten (10) years minimum experience in manufacturing LED based products

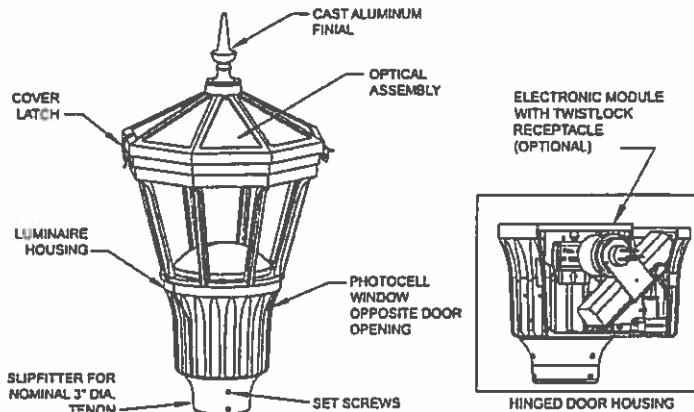
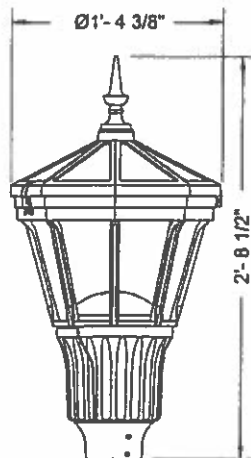
Warranty

5-year limited warranty. Complete warranty terms located at: www.acuitybrands.com/CustomerResources/Terms_and_Conditions.aspx.

Note: Actual performance may differ as a result of end-user environment and application. All values are design or typical values, measured under laboratory conditions at 25°C. Specifications subject to change without notice.



DIMENSIONAL DATA



AUCL2

Utility Arlington Series Luminaire Full Cutoff LED2



ORDERING INFORMATION

Example: AUCL2 P20 30K AS GN L2 P7E

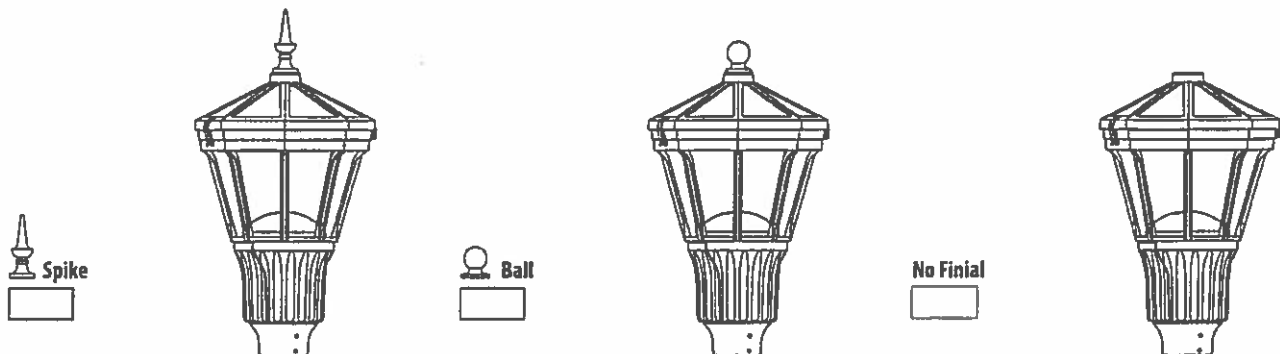
Series	LED performance package	LED Color temperature	Voltage	Housing color	Optics	Finial
AUCL2 Utility Arlington LED FCO	P10 1,500 nominal lumens (amber only)	AM True amber 27K 2700K CCT	AS Auto-sensing voltage (120 thru 277) 50/60 HZ	BK Black GR Gray	L2 Type 2 distribution full cutoff	N None B Ball
	P20 4,500 nominal lumens	30K 3000K CCT	AH Auto-sensing voltage (347 thru 480) 50/60 HZ	GH Graphite	L3 Type 3 distribution full cutoff	S Spike
	P30 6,500 nominal lumens	40K 4000K CCT		GN Green	L4 Type 4 distribution full cutoff	
	P40 8,500 nominal lumens	50K 5000K CCT		PP Prime paint	L5 Type 5 distribution full cutoff	
	P50 11,500 nominal lumens			WH White BZ Bronze TDC RAL Color color (RAL**) CMC Custom color match		

Options: Option Compatibility Matrix on page 3 of 4			
AO Field Adjustable Output	P3E NEMA Twist Lock Dimming Photocontrol Receptacle - 3 PIN. Externally mounted	L1H 1.5 ft prewired leads	
DE ROAM Hardware DecoNode and DCM Factory Installed	P7E NEMA Twist Lock Dimming Photocontrol Receptacle - 7 PIN. Externally mounted	L03 3ft prewired leads	
FPDxx Factory Programmed Driver	RME ROAM Node (External)	L10 10 ft prewired leads	
P3 NEMA Twist Lock photocontrol receptacle - 3 PIN receptacle only.	RME3 347V ROAM NODE (External)	L20 20 ft prewired leads	
P7 NEMA Twist Lock Dimming photocontrol receptacle - 7 PIN receptacle only.	RME4 480V ROAM NODE (External)	L25 25 ft prewired leads	
PCS DTL twistoff photocontrol for solid-state lighting 120-277V	PSC Shorting cap	L30 30 ft prewired leads	
PCLL DTL long life twistlock photocontrol for solid-state AS & AH	HSS House side shield	NL1X1 NEMA Label 1" X 1"	
PND Part night dimming - down to 50%		NL2X2 NEMA Label 2" X 2"	
P34 DTL twistlock photocontrol 347V		20KV 20kV/10kA surge protection	
P48 DTL twistlock photocontrol 480V			

Accessories: Order as separate catalog number	
XXCL2HSS1	Field Accessory - Louvered house side shield (Qty 1)
XXCL2HSS150	Field Accessory - Louvered house side shield (Bulk Qty 50)
XXCL2SPD10KAS	10kV/5kA Extreme surge 120-277V
XXCL2SPD10KAH	10kV/5kA Extreme surge 480V
XXCL2SPD20KAS	20kV/10kA Extreme surge 120-277V
XXCL2SPD20KAH	20kV/10kA Extreme surge 480V

FINIAL INFORMATION

Mark Appropriate Box for Finial Options



OPTIONS MATRIX

Mounting		SELECTED OPTION (start here)																
		AO	DE	FDox	P3	P5E	F7	P7E	P84	R8	PQL	PJS	PND	P5C	P5E	RME3	RME4	ZKW
LED Performance Package	P10	Y	Y	Y	Y	Y	Y	Y	Y	Y	Y	Y	Y	Y	Y	Y	Y	Y
	P20	Y	Y	Y	Y	Y	Y	Y	Y	Y	Y	Y	Y	Y	Y	Y	Y	Y
	P30	Y	Y	Y	Y	Y	Y	Y	Y	Y	Y	Y	Y	Y	Y	Y	Y	Y
	P40	Y	Y	Y	Y	Y	Y	Y	Y	Y	Y	Y	Y	Y	Y	Y	Y	Y
	P50	Y	N	Y	Y	Y	Y	Y	Y	Y	Y	Y	N	Y	Y	Y	Y	N
Voltage	A5	Y	Y	Y	Y	Y	Y	Y	N	N	Y	Y	Y	Y	N	N	Y	
	AH	Y	N	Y	Y	Y	Y	Y	Y	Y	N	N	Y	N	Y	Y	Y	
Finish	B	Y	Y	Y	Y	N	Y	N	Y	Y	Y	Y	Y	N	N	N	Y	
	S	Y	Y	Y	Y	N	Y	N	Y	Y	Y	Y	Y	N	N	N	Y	
	N	Y	Y	Y	Y	M	Y	M	Y	Y	Y	Y	Y	M	M	M	Y	
Compatible Options	AO		N	Y	Y	Y	F	F	Y	Y	Y	N	Y	N	N	N	Y	
	DE	N		Y	Y	N	N	N	N	N	N	N	Y	N	N	N	Y	
	FDox	Y	Y		Y	Y	Y	Y	Y	Y	Y	Y	Y	Y	Y	Y	Y	
	P3	F	M	Y		N	N	N	Y	Y	Y	M	Y	N	N	N	Y	
	P5E	F	N	Y	N		N	N	Y	Y	Y	N	Y	N	N	N	Y	
	P7	F	N	Y	N	N		N	Y	Y	Y	N	Y	N	N	N	Y	
	P7E	F	N	Y	N	N	N		Y	Y	Y	N	Y	I	I	I	Y	
	P84	Y	N	Y	Y	Y	Y	Y		N	N	N	N	N	N	N	N	Y
	R8	Y	N	Y	Y	Y	Y	Y	N		N	N	N	N	N	N	N	Y
	PQL	Y	N	Y	Y	Y	Y	Y	N	N		N	M	N	N	N	N	Y
	PJS	Y	N	Y	Y	Y	Y	Y	N	N	N		M	N	N	N	N	Y
	PND	N	N	Y	Y	N	N	N	N	N	M	M		Y	N	N	N	Y
	P5C	Y	N	Y	Y	Y	Y	Y	N	N	N	N	Y		N	N	N	Y
	P5E	N	N	Y	N	N	N	Y	N	N	N	N	N	N		N	N	Y
	RME3	N	N	Y	N	N	N	Y	N	N	N	N	N	N	N		N	Y
	RME4	N	N	Y	N	N	N	Y	N	N	N	N	N	N	N	N		Y
ZKW	Y	Y	Y	Y	Y	Y	Y	Y	Y	Y	Y	Y	Y	Y	Y	Y		

Y = Valid Option Combination
 F = Future ready (wired with "AO", but could accept control device with tool-less field wiring)
 M = Must have: one of these must be installed for the luminaire to operate
 N = Combination Not available

ROAM OPTION DETAILS

DE = UL listed components without GPS capability, external antenna is black and includes ROAM capable node only, ROAM service package sold separately via Acuity Controls
 RME = UL listed device without GPS capability, blue housing color, includes ROAM capable node only, ROAM service package sold separately via Acuity Controls and contact Acuity Controls for RME device with GPS capability or non-standard color
 RME3 = UL listed device without GPS capability, green housing color, includes ROAM capable node only, ROAM service package sold separately via Acuity Controls and contact Acuity Controls for RME device with GPS capability or non-standard color
 RME4 = UL listed device without GPS capability, yellow housing color, includes ROAM capable node only, ROAM service package sold separately via Acuity Controls and contact Acuity Controls for RME device with GPS capability or non-standard color

LUMEN AMBIENT TEMPERATURE (LAT) MULTIPLIERS

Use the factors to determine relative lumen output for average ambient temperatures from 0-40C (32-104F)

Ambient Temp (degrees C) Lumen Multiplier								
0	5	10	15	20	25	30	35	40
1.05	1.04	1.03	1.02	1.01	1.00	0.99	0.98	0.97

PROJECTED LED LUMEN MAINTENANCE

Data references the extrapolated performance projections for the platforms noted in 25C ambient, based on 6,000 hours of LED testing (tested per IESNA LM-80-08 and projected per IESNA TM-21-11). To calculate LLF, use the lumen maintenance factor that corresponds to the desired number of operating hours below. For other lumen maintenance values, contact factory.

Package	Lumen Maintenance						L70-Hrs
	25khrs	35khrs	50khrs	60khrs	75khrs	100khrs	
P20-P40	0.97	0.96	0.95	0.94	0.93	0.91	383,000
P50	0.96	0.94	0.93	0.91	0.90	0.87	267,667

PERFORMANCE DATA

LED Package	Distribution	Sphere/Watts	2700K		3000K		4000K		5000K	
			Lumens	LPW	Lumens	LPW	Lumens	LPW	Lumens	LPW
P20	L2	45	3950	88	4037	90	4449	99	4583	102
	L3	45	3554	79	3631	81	4002	89	4123	92
	L4	45	3822	85	3906	87	4304	96	4434	99
	L5	45	3903	87	3988	89	4396	98	4528	101
P30	L2	66	5761	87	5887	89	6488	98	6684	101
	L3	66	5183	79	5296	80	5837	88	6013	91
	L4	66	5574	84	5696	86	6277	95	6467	98
	L5	66	5692	86	5816	88	6411	97	6604	100
P40	L2	89	7453	84	7616	86	8394	94	8647	97
	L3	89	6705	75	6851	77	7551	85	7779	87
	L4	89	7211	81	7368	83	8121	91	8366	94
	L5	89	7364	83	7525	85	8293	93	8544	96
P50	L2	139	10670	77	10903	78	12016	86	12379	89
	L3	139	9598	69	9808	71	10810	78	11136	80
	L4	139	10323	74	10548	76	11626	84	11977	86
	L5	139	10542	76	10772	77	11872	85	12231	88

FPDXX DATA OPTIONS

FPDxx Setting	Wattage	P20 27K				P20 30K				P20 40K				P20 50K			
		L2	L3	L4	L5	L2	L3	L4	L5	L2	L3	L4	L5	L2	L3	L4	L5
Standard	45	3950	3554	3822	3903	4037	3631	3906	3988	4449	4002.246	4304	4396	4583	4123	4434	4528
FPD95	43	3753	3376	3611	3708	3835	3450	3710	3789	4226	3802	4089	4176	4354	3917	4213	4302
FPD90	41	3755	3198	3440	3513	3633	3268	3515	3590	4004	3602	3874	3956	4125	3711	3991	4076
FPD85	38	3358	3021	3249	3318	3431	3087	3320	3390	3782	3402	3659	3736	3896	3505	3769	3849
FPD80	36	3160	2853	3058	3123	3229	2905	3124	3191	3559	3202	3444	3517	3667	3298	3547	3623

FPDxx Setting	Wattage	P30 27K				P30 30K				P30 40K				P30 50K			
		L2	L3	L4	L5	L2	L3	L4	L5	L2	L3	L4	L5	L2	L3	L4	L5
Standard	66	5761	5183	5574	5692	5887	5296	5696	5816	6488	5836.693	6277	6411	6684	6013	6467	6604
FPD95	63	5473	4924	5295	5408	5592	5031	5411	5526	6164	5545	5963	6090	6350	5712	6144	6274
FPD90	59	5185	4664	5017	5123	5298	4766	5126	5235	5839	5253	5650	5769	6016	5412	5820	5944
FPD85	56	4897	4405	4738	4838	5004	4501	4841	4944	5515	4961	5336	5449	5681	5111	5497	5613
FPD80	53	5369	4146	4459	4554	4709	4237	4557	4653	5190	4669	5022	5128	5347	4810	5173	5281
FPD81	50	4321	3887	4180	4269	4415	3972	4272	4362	4866	4378	4708	4808	5013	4510	4850	4953
FPD82	46	4033	3628	3902	3985	4121	3707	3987	4072	4542	4086	4394	4487	4679	4209	4527	4623

FPDxx Setting	Wattage	P40 27K				P40 30K				P40 40K				P40 50K			
		L2	L3	L4	L5	L2	L3	L4	L5	L2	L3	L4	L5	L2	L3	L4	L5
Standard	89	7453	6705	7211	7364	7616	6851	7368	7525	8394	7551	8121	8293	8647	7779	8366	8544
FPD95	85	7080	6370	6851	6996	7235	6509	7000	7149	7974	7173	7715	7879	8215	7390	7948	8116
FPD90	80	6708	6034	6490	6628	6854	6166	6632	6772	7544	6796	7309	7464	7782	7001	7530	7689
FPD85	76	6335	5699	6129	6259	6473	5824	6263	6396	7135	6418	6903	7049	7350	6612	7111	7262
FPD80	71	5962	5364	5769	5891	6093	5481	5895	6020	6715	6041	6497	6635	6918	6223	6693	6835

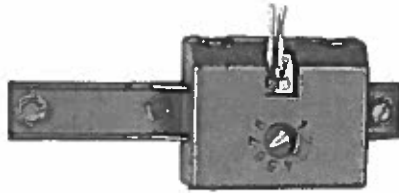
FPDxx Setting	Wattage	P50 27K				P50 30K				P50 40K				P50 50K			
		L2	L3	L4	L5	L2	L3	L4	L5	L2	L3	L4	L5	L2	L3	L4	L5
Standard	139	10670	9598	10323	10542	10903	9808	10548	10772	12016	10810	11626	11872	12379	11136	11977	12231
FPD95	132	10136	9119	9807	10015	11966	9318	10021	10234	11415	10269	11025	11279	11760	10579	11378	11619
FPD90	125	9603	8639	9291	9488	9812	8827	9494	9695	10814	9729	10463	10685	11141	10022	10779	11008
FPD85	118	9069	8159	8775	8961	9267	8337	8966	9156	10214	9188	9882	10092	10522	9466	10180	10396
FPD80	111	8536	7679	8259	8434	8722	7846	8439	8618	9613	8648	9301	9498	9903	8909	9581	9785

AUCL2

Utility Arlington Series Luminaire Full Cutoff LED2



COMPONENTS & OPTIONS DATA



AO
Manual field adjustable output dimming device



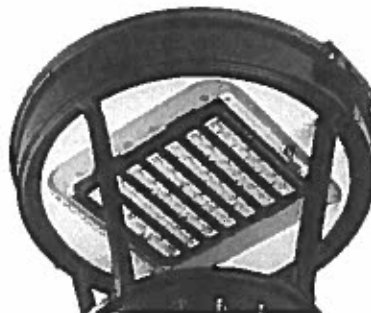
RME (External)
Remote Asset Management Control Dimming Device
(specify with receptacle)



DE
Remote Asset Management Control Decorative Node
(specify with P3 receptacle)



20kV
Safeguard your investment from extreme voltage spikes with our new Extreme 20kV/10kA SPD



HSS
Minimize backlight with a lowered house-side-shield. Available as a factory option or field accessory