

PLAN

GENERAL NOTES:

1. DESIGN DATA:

	NEXTSAND		GREENSANDPLUS		SAND	
	GPM	GPM /FT <sup>2</sup>	GPM	GPM /FT <sup>2</sup>	GPM	GPM /FT <sup>2</sup>
<b>A. MIN. FLOW RATE:</b>	25	2	25	2	25	2
<b>B. MAX. FLOW RATE:</b>	251	20	151	12	113	9

	GPM	GPM /FT <sup>2</sup>	GPM	GPM /FT <sup>2</sup>	GPM	GPM /FT <sup>2</sup>
<b>BACKWASH RATE:</b>						
A. 80°F	70	22.3	119	38	49	15.5
B. 70°F	62	19.8	101	32	44	14
C. 60°F	54	17.2	79	25	4	1.3
D. 50°F	46	14.8	79	25	36	11.5
E. 40°F	39	12.5	79	25	3	1

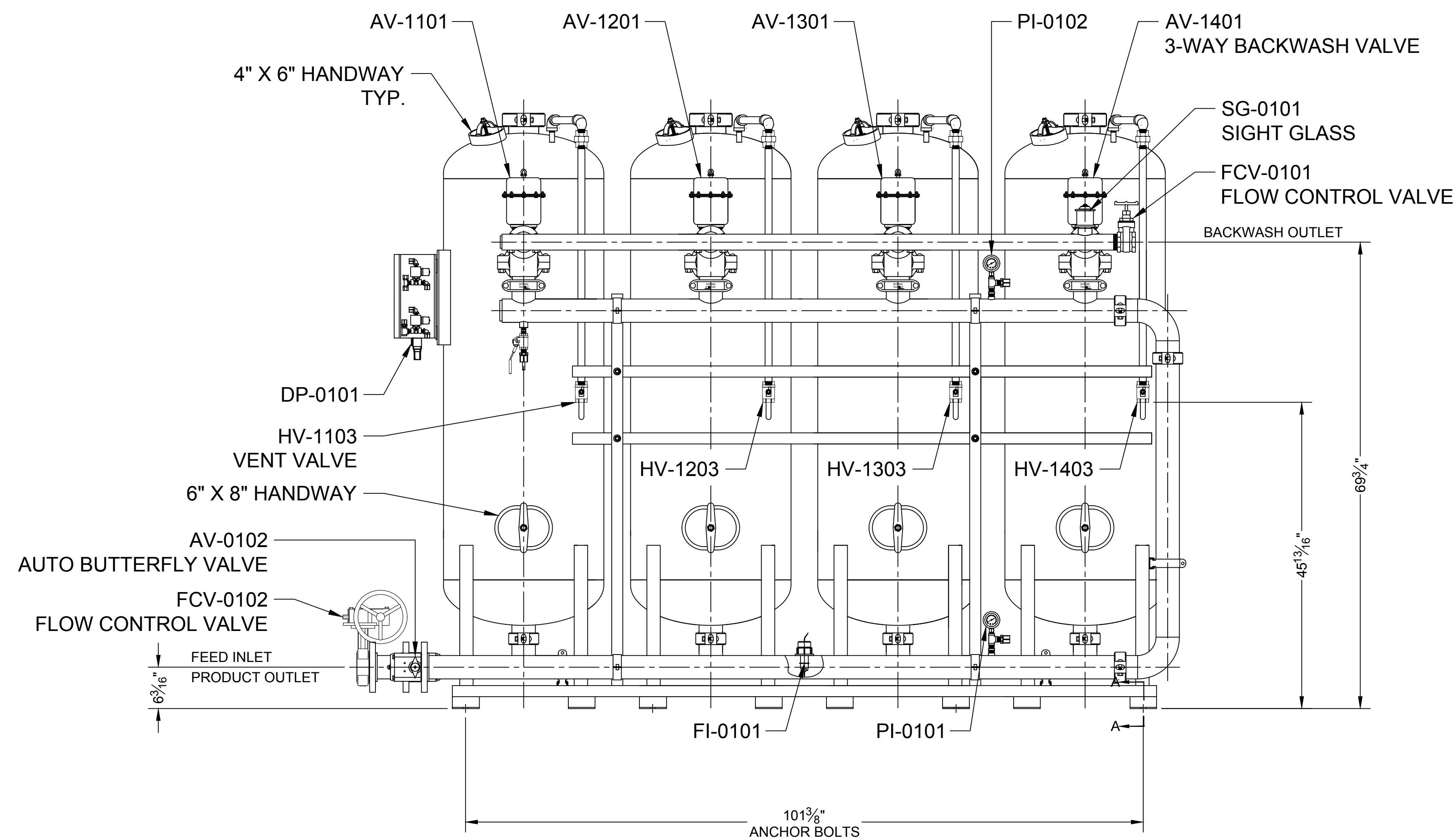
  

APPROX. WEIGHT (LBS)				
A. EQUIPMENT	1800	1800	1800	1800
B. MEDIA	3317	5579	4155	4432
C. OPERATING	6830	9092	7669	7945

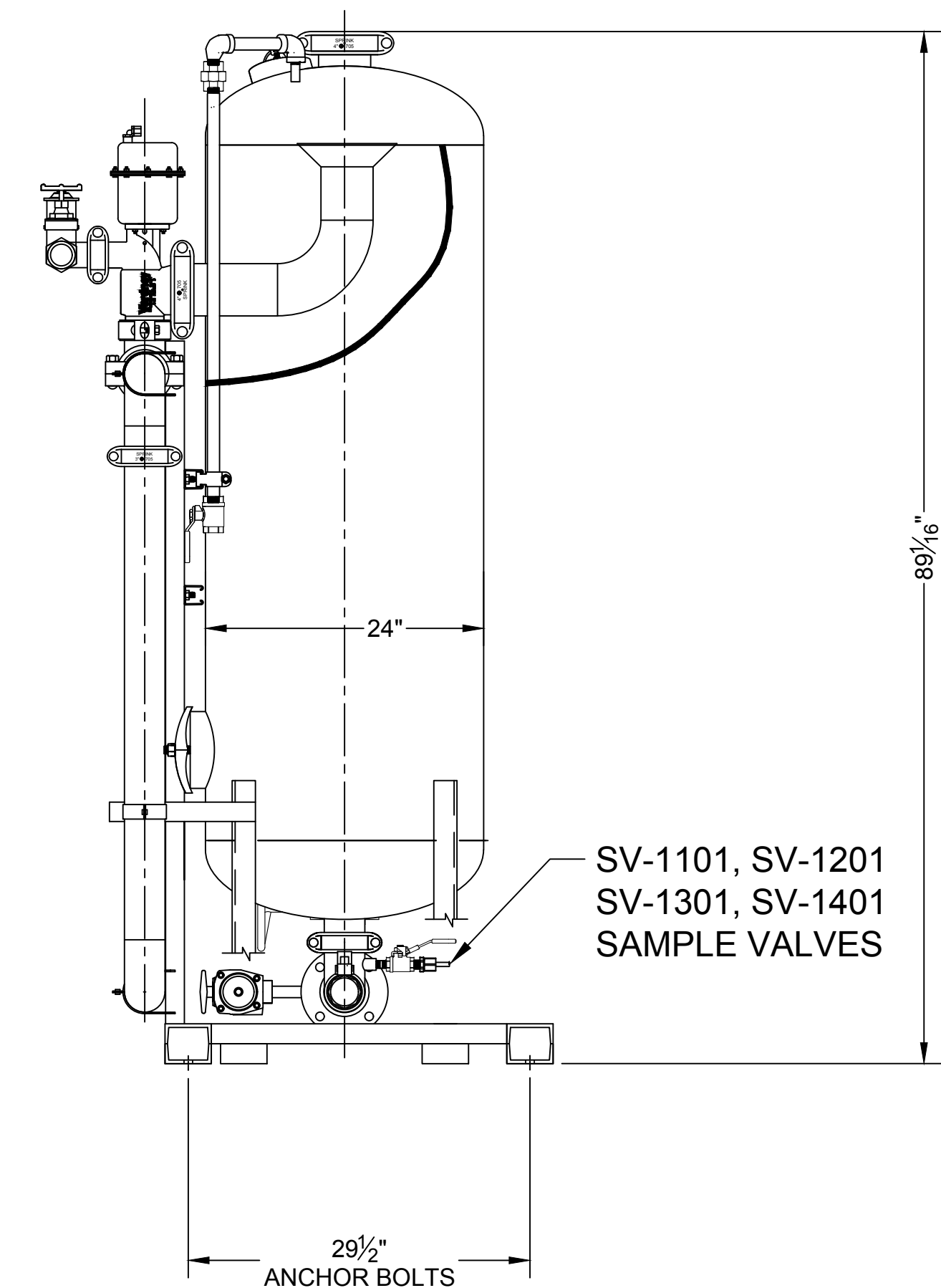
  

MEDIA REQUIREMENTS (SYSTEM TOTAL in FT <sup>3</sup> )				
A. 1/2" x 1/4" GRAVEL:	4	4	4	4
B. 1/4" x 1/8" GRAVEL:	4	4	4	4
C. 1/8" X 1/16" SAND:	4	4	4	4
D. MEDIA #1:	38	38	25	25
E. MEDIA #2:	-	-	13	13

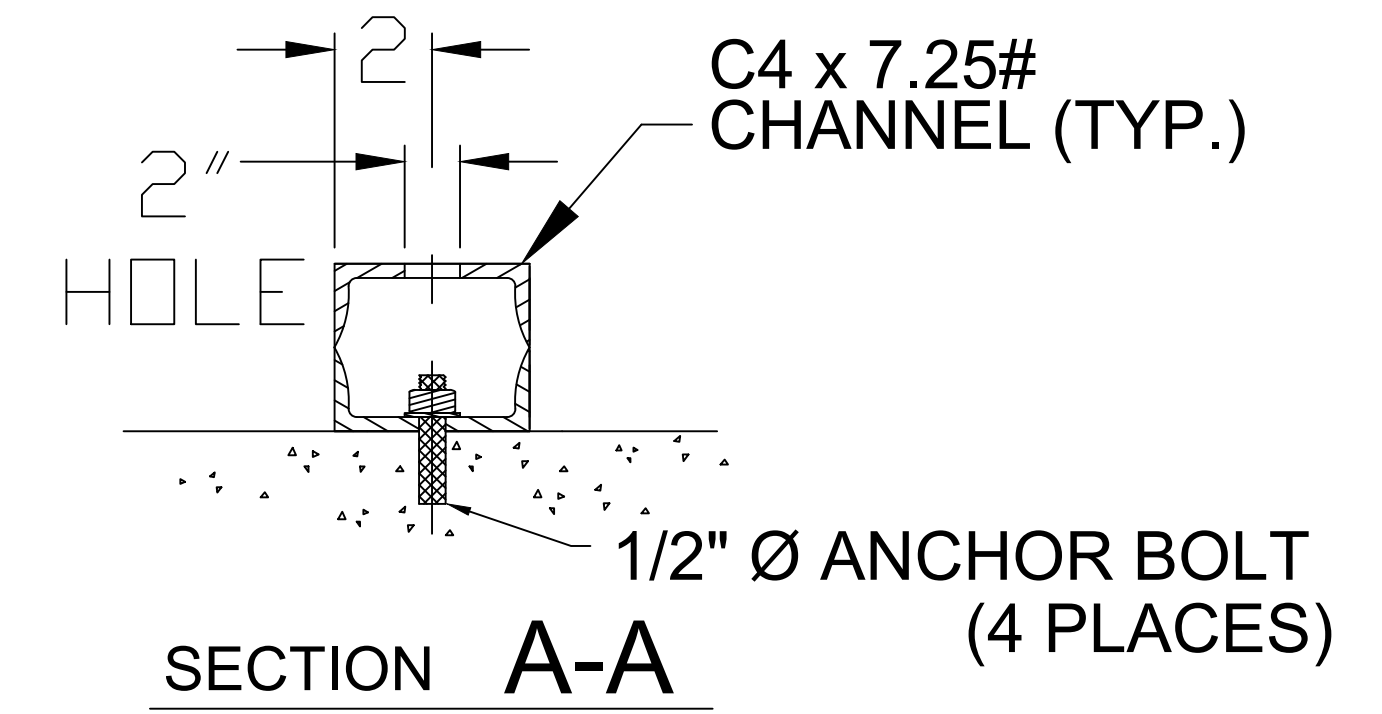
2. MAXIMUM WORKING PRESSURE: 100 PSI  
3. ELECTRICAL REQUIREMENTS:  
CONTROLLER 120V SOLENOIDS 24VDC FACTORY WIRED  
4. PNEUMATIC REQUIREMENTS:  
2 CFM @ 80 PSIG MIN. (BY OTHERS)  
5. UNDERDRAIN PVC HUB 304 SS LATERALS  
6. SAMPLE VALVES ON EACH OUTLET



FRONT ELEVATION



RIGHT ELEVATION



REV	DESCRIPTION	DATE	BY

PROPRIETARY AND CONFIDENTIAL  
This drawing and the information contained in it are the sole property of Surplus Management, Inc. Any reproduction in part or as a whole without the written permission of Surplus Management, Inc. is prohibited.

**WATERSURPLUS**  
MANAGING THE WORLD'S WATER  
726 BEACON STREET • LOVES PARK, IL 61111  
WWW.WATERSURPLUS.COM  
P: (800) 919-0888 F: (815) 636-8844

DRAWN BY: SS	TITLE: GENERAL ARRANGEMENT QUADPLEX FILTER
APPROVED BY: KJT	CUSTOMER: WATERSURPLUS RENTAL UNIT
DATE: 5-22-17	
SCALE: NONE	DRAWING NO: FIT2400250R-GA-01
	SHEET: 1 OF 1
	REV: 0