



When it's on the line.

To: Jason Jackson
 BHMG Engineers, Inc
 Arnold, Missouri

From: RJ Ladenburger
Outside Sales
 +1 7858224608
 rladenburger@solomoncorp.com

Quote: Q-17115 | Sale
 Date: 6/5/2019
 Change Order: No | Revision: 0
 Drawings: Construction

REF: Rochelle, IL

QTY	DESCRIPTION	EACH (USD)
1	Substation Transformer	\$122,807.00
	Phase: Three KVA: 5000 HV: 13800Y/7970 LV: 4160Y/2400 Taps: 2-2.5% FCAN & BN Degree Rise: 55/65 Frequency: 60 Hz Impedence: Standard Primary Winding Type: Rectangular Layer Primary Bushing Location: Cover Mounted ANSI Segment (Primary): 3 Secondary Winding Type: Rectangular Layer Secondary Bushing Location: Cover Mounted ANSI Segment (Secondary): 1	
	New Primary Windings	
	New Secondary Windings	
	New Tertiary Windings	
	5-Position Tap Changer	
	15 KV Primary Bushings	
	4-Hole Spade Primary Connectors	
	8.7 KV Secondary Bushings	
	4-Hole Spade Secondary Connectors	
	Liquid Level Gauge With 1 Contact	
	Liquid Temperature Gauge with 2 Contacts	
	Winding Temperature Gauge with 2 Contacts	
	Pressure Vacuum Gauge	
	Bleeder Valve	
	Main Tank 8 LB Pressure Relief Device	
	Sudden Pressure Relay	
	Seal In Relay	

QTY	DESCRIPTION	EACH (USD)
	600:5, MR, Accuracy C200, Primary CT's	
	1200:5, MR, Accuracy C400, Neutral CT	
	26 in. 240V Cooling Fans	
	Control Box	
	Non-PCB Mineral Oil	
	Standard Aluminum Nameplate	
	Drawings/Manuals	

Origin: Solomon, KS 67480 | **Destination:** Rochelle, IL 61068 | **FOB:** Origin
Shipment: 6-8 Weeks ARO | **Shipping & Handling:** Prepaid & Allowed
Oversized Load: No | **Escort Required:** No | **Permits Required:** No
Warranty: 3 Years | **Terms:** Net 30

Disposal Charge of Existing Unit: \$15,000

Standard Factory Tests:

Turn Ratio Test	Megohm Insulation Test	Resistance Test
Excitation Test	No-Load Losses	Full Load Losses
Impedance	Induced Potential	Applied Potential
Doble Power Factor		

In order to stay within dimensional requirements for shipment by truck, some parts may be shipped separately and will require installation on site. The installation of these parts is the customer's responsibility. Our field service department can install these components and perform field acceptance testing which includes TTR, Meg & Doble for an additional charge. The customer will be responsible for unloading at the job site.

Please note any changes to the specifications on this quotation form and also reference the quotation number on your Purchase Order. Solomon Corporation will use your Purchase Order as order confirmation and proceed with manufacturing. Please note that changes made after the manufacturing process begins may result in additional charges and potential delays in production.

Prices valid for 30 days. Units subject to availability. Please see attached Terms and Conditions. Price does not include tax. If applicable, tax will be added to the invoice. If order is tax exempt, please provide a copy of your exemption certificate. Unit(s) quoted are for normal service conditions as defined by ANSI/IEEE Standards. Notify Solomon Corporation at time of quotation should the unit(s) be subject to harmonics, motor starting, shovel duty, or other special service conventions.



SUPPLY COMPANY INCORPORATED
BOX 180, COLMAN, SOUTH DAKOTA 57017

"The Transformer People"

When Every Minute Counts

Call Toll Free 800-843-7994
(Outside U.S.) 605-534-3555
FAX 605-534-3861
Website <http://t-r.com>

Quote Rev. 64075-1

Date: 06/05/2019

Contact: Lukas Pirok

Company: Rochelle Municipal Utilities

Phone: 815-561-2051

Fax: 815-562-5861

Email: lpirok@bhmg.com

Quote Summary

#	Item	Type	Qty	Category	Ph	KVA	Primary	Secondary	Price	Total
1	0	RW	1	STATION	3	5000	13800Y/7970	4160Y/2400	\$65,000.00	\$65,000.00
Grand Total									\$65,000.00	

Additional Notes

1. All quotes are subject to the "Standard Terms and Conditions of Sale".
2. This quote is valid for 30 days.
3. Estimated manufacturing lead-time is a best estimate at time of quotation and may vary.
4. Upon completion of order, immediate shipment is available plus freight on a common carrier. Unless otherwise specified, freight on quotes is prepaid and allowed in the contiguous US on our next available truck going to your area.
5. Electrical Test reports available upon request.

If you have any questions or need any additional information please call me at 800-843-7994. You may also email me at doug.bowen@trelectric.com.

Sincerely,
Doug Bowen
Sales Representative



"The Transformer People"

When Every Minute Counts

Call Toll Free 800-843-7994
(Outside U.S.) 605-534-3555
FAX 605-534-3861
Website <http://t-r.com>

Quote Rev. 64075-1

Date: 06/05/2019

Contact: Lukas Pirok

Company: Rochelle Municipal Utilities

Phone: 815-561-2051

Fax: 815-562-5861

Email: lpirok@bhmg.com

Item #1 - Three Phase 5000 KVA Station

Product Type: Rewind

Transformer Type: Station

Specifications:

KVA:	5000	Phase:	3
High Voltage:	13800Y/7970	Low Voltage:	4160Y/2400
Taps:	W/TAPS 2 X 2 1/2% +/-		

Accessories:

- Primary Top Mount Bushings
- Secondary Top Mount Bushings
- Cover Mounted PRD w/ 1 Contact
- Liquid Level Gauge
- Pressure/Vacuum Gauge with Bleeder
- Temperature Gauge with Contacts
- Pressure/Vacuum Gauge
- Temperature Gauge
- Pressure Relief Device
- Mineral Oil (standard)
- Non-PCB Label
- Drain Valve with Sampler
- ANSI 70 Paint

Notes:

5000/6250 KVA OA/FA 65
A.C (T&R)
5.5% imp
140" high
127" top of tank
78" deep
97" wide
see attached drawing
Rewound with Copper
Stock
Ship 1-2 weeks

Quantity: **1**

Warranty: 36 Month Guarantee

Delivery: Fob: Destination

Price: **\$65,000.00 Each**

Manufacturing: See Comments for Details

Time:

After Release to Production



SUPPLY COMPANY INCORPORATED
BOX 180, COLMAN, SOUTH DAKOTA 57017
"THE TRANSFORMER PEOPLE"®

**36 MONTHS
100%
Guarantee**

GUARANTEE

ALL T&R TRANSFORMERS ARE GUARANTEED TO BE FREE FROM DEFECTS IN WORKMANSHIP AND MATERIALS FOR 36 MONTHS UNDER NORMAL USE OR SERVICE ; THAT NORMAL USE OR SERVICE DOES NOT INCLUDE ABNORMAL STRESSES OR STRESS FROM SUCH CAUSES AS INCORRECT PRIMARY VOLTAGE, FREQUENCY OR IMPROPER LOAD.

We are not responsible for consequential losses or damages outside of this equipment nor for any repairs or replacements made by others without our written authorization. Should any unit fail within 36 months, we will either repair or replace the transformer or refund your money at our option.

Excluded under this guarantee are all newly-manufactured transformers and all transformers rebuilt by other rebuilders, in which case their guarantee will prevail.

This guarantee is expressly in lieu of other guarantees.

(605) 534-3555
(800) 843-7994
FAX: (605) 534-3861
E-MAIL: t-r@t-r.com

T&R Electric Supply Co., Inc.
STANDARD TERMS AND CONDITIONS OF SALE
Effective Date: June 1, 2019

1. Applicable Terms. These Terms and Conditions of Sale (the "Terms") apply to and govern the sale of all material, equipment, components, products, goods and/or documents (the "Products") sold by T&R Electric Supply Co., Inc. ("T&R") to Customer, unless otherwise expressly agreed in a written agreement signed by T&R. T&R offers to sell the Products solely pursuant to these Terms, and any acceptance is expressly limited to these Terms. Any terms proposed by Customer in any offer, acceptance, confirmation or other document are rejected by T&R and do not bind the parties. If Customer objects to any provisions of these Terms, such objection must be in writing and received by T&R prior to commencement of performance by T&R. If Customer fails to timely provide a written objection, Customer will be deemed to have conclusively accepted these Terms.

2. Quotations. Each quotation is valid for 30 days from its issue date unless otherwise stated in the quotation or unless revoked by T&R prior to the issuance of Customer's purchase order.

3. Prices. Prices are subject to change by T&R without notice. Unless otherwise specified, prices will be the prices in effect at the time of written order acknowledgement by T&R, subject to any mutually agreed upon escalation formula and/or adjustment for any subsequent change to the Product requested by Customer and agreed to by T&R. Except as otherwise provided in Section 6 (Delivery/shipment) or as otherwise agreed in writing by T&R, prices will include freight Prepaid and Allowed to the accessible common carrier point nearest the first destination designated by Customer in the 48 contiguous United States on the next available T&R truck delivering to Customer's area, unless immediate shipping is required by Customer, in which case such charges are not included in the original quote and shall be additionally paid by Customer. In the event of a price change, the effective date of the change will be the date shown on the revised quotation. Where a price change is made by letter, fax or email, the effective date may be given as part of the letter, fax or email. Pallets are not included in the price of quote and must be requested separately by Customer. Pallets and export packaging provided by T&R will not be fumigated and any special requests shall be made in advance, and may not be available through T&R. Customer shall give at least two weeks notice to T&R in the event witness tests are required by Customer, and charges for such tests will be set by T&R but will be no less than \$1,000 per day.

4. Taxes. The price quoted by T&R for the Products does not include any federal, state or local property, license, privilege, sales, use, excise, gross receipts or other like taxes which may now or hereafter apply. Customer shall be solely responsible for paying all such applicable taxes. Payment by T&R of any such taxes will be for the account of Customer, and shall be immediately reimbursed by Customer to T&R. Where Customer's or the end-user's destination is located outside of the United States, Customer shall pay all customs, duties and local customs broker fees and costs (U.S. and/or non-U.S.), as well as all other non-U.S. taxes of any type.

5. Payment. Payment terms are 30 calendar days from the date of invoice, unless otherwise agreed in writing by T&R. If the financial condition of Customer at any time prior to shipment is reasonably questioned by T&R, T&R may require payment in advance by Customer or cancel any outstanding order, without any liability or obligation to Customer and whereupon, in the event of cancellation, T&R will be entitled to receive reasonable cancellation charges. If any payment is not made when due, Customer shall pay a late charge equal to the greater of 1½% per month cumulative or the highest applicable rate allowed by law on all principal outstanding and prior assessed late charges. In addition, Buyer shall pay T&R all costs and expenses incurred by T&R in enforcing these Terms, including reasonable attorneys' fees.

6. Delivery/shipment. Unless otherwise agreed in writing by T&R, all orders of Products with net invoice values of \$1,000 or more are shipped F.O.B. Colman, South Dakota Prepaid and Allowed, and all orders with net invoice values of less than \$1,000 are shipped F.O.B. Colman, South Dakota Prepaid and Added. All shipments are F.O.B. accessible common carrier point nearest first destination designated by Customer in the 48 contiguous United States on the next available contracted carrier truck delivering to Customer's area, unless immediate shipping is required by Customer (which charges are not included in the original quote, freight prepaid, and shall be paid by Customer).

Cartage (Store Door Delivery): Transportation charges incurred from the nearest accessible common carrier point to final destination or to shipside (in case of shipment to U.S. possessions) are the responsibility of Customer unless the common carrier furnishes store delivery at no extra charge.

Method of Shipment: T&R will determine the point of origin of shipment, the method of transportation, and the routing of shipment. Customers requiring shipment by a method or routing other than that of T&R's selection will be billed any excess or premium in transportation charges. Any charges for special services, including special train, lightering, coordinated arrival times of multiple trucks or other modes of conveyance shall be paid or reimbursed by Customer.

Shipping Dates: Shipping dates contained in quotations are approximate and are based on receipt of complete information with the order. If drawing approval by Customer is required, drawings must be returned to T&R by Customer and released to production within 14 days, in writing, by email, facsimile or first class mail. Upon release to production, a shipment date will be determined by work load level at the time of release and may not be the same as initially quoted. An acknowledgement shipment date will be provided upon Customer request.

Customer Pick-Up: No allowance will be made in lieu of transportation if Customer accepts shipment at the factory or warehouse or freight station.

Will Call Orders: Customer expressly consents that will-call orders (e.g. orders for which Customer elects to arrange for transportation) will be invoiced on the later of the contractually acknowledged shipment date or the date of Product completion. T&R will not be responsible in any way for Customer's inability to secure timely transportation or any other delay by Customer or its service providers whatsoever. Any applicable storage charges of completed Products will be in accordance with Section 17 (Delayed Shipment).

Shipment Damage: Except in the event of F.O.B. Destination shipment, T&R will not participate in any settlement of claims for concealed or other shipment damage. When shipment has been made on an F.O.B. Destination basis, Customer shall unpack immediately and, if damage is discovered,

shall: (i) not move the Product from the point of examination; (ii) retain shipping container and packing material (if applicable); (iii) notify the carrier of any apparent damage in writing on carrier's delivery receipt and request carrier to make an inspection; (iv) notify T&R within 72 hours of delivery; and (v) send T&R a copy of the carrier's inspection report.

Inspection and Acceptance: Products will be deemed accepted by Customer upon receipt. Should a Product not comply with required technical specifications, Customer shall notify T&R in writing of any alleged noncompliance within two calendar days of receipt and off-loading. Any notification of alleged noncompliance must cite each specification criteria that is alleged to be non-compliant, with evidence of the deviation. Correction of any confirmed noncompliance will be in accordance with T&R's obligations under Section 8 (Warranty).

7. Force Majeure. T&R shall not be liable for failure to perform or for delay in performance due to any cause beyond its reasonable control, including but not limited to: acts of God; acts or omissions which are substantially attributable to Customer or Customer's service providers; fire; floods, hurricanes, tornadoes or other unusually severe or harsh weather conditions; strikes or other labor difficulties; any act or failure to act or delay in acting on the part of any governmental authority or entity; changes in law; epidemics; quarantine restrictions; war; insurrection or riot; acts of a civil or military authority; title or environmental issues; embargoes; fuel or energy shortage; blockage; transportation delays or accidents; inability to obtain necessary labor, material or manufacturing facilities from usual sources; or delays of subcontractors. In the event of delay in performance due to any such cause, the date of shipment or time for completing will be extended by a period of time equal to the greater of (i) the time reasonably necessary to overcome the effect of such delay, or (ii) the time equal to the period of the delay.

8. Warranty. T&R warrants to Customer that, for the length of time stated in the quote given by T&R to Customer (or if no length of time is stated, for a period of one year from the date of invoice), the Products will be free from defects in material and workmanship under normal use, service and conditions. T&R shall have no liability for the failure of any Product to conform with this warranty if such failure is caused by abnormal stresses (such as stresses caused by incorrect primary voltage, frequency or improper overload), accident, misuse, neglect, alteration, improper installation or repair, inadequate maintenance, normal wear and tear, or use contrary to any product specifications or instructions of T&R. Customer may elect, at Customer's sole expense, to install, use and maintain a metering device that will record values for current (amps), voltage (V), frequency (Hz), loading of the transformer (kW), and such other information as may be required by T&R (collectively, the "Metered Information"). In the event of a defect or other failure of the Product, Customer is required to provide Metered Information regarding the Product to T&R, and such Metered Information will be used by T&R to determine whether the alleged defect or failure is covered by this warranty. If Customer elects not to install, use, and maintain a metering device, or otherwise fails to provide Metered Information to T&R, T&R shall analyze the Product and make the determination, in its sole discretion, whether the alleged defect or failure is covered by this warranty. In the event a Product fails to conform to this warranty during the warranty period, T&R, at its sole option, will repair the Product, replace the Product, or refund the purchase price of the Product to Customer. Excluded from this warranty are all newly manufactured transformers, regulators, switches and other equipment and all transformers, regulators, switches and other equipment rebuilt by other rebuilders, in which case such other manufacturers' or rebuilders' warranties will apply and be Customer's exclusive warranty to be enforced directly by Customer against such third party. TO THE MAXIMUM EXTENT PERMITTED BY LAW, THIS WARRANTY CONSTITUTES T&R'S SOLE LIABILITY, AND CUSTOMER'S SOLE REMEDY, FOR ANY BREACH OF WARRANTY OR OTHER NONCONFORMITY OF PRODUCTS. T&R MAKES NO OTHER WARRANTY, EXPRESS, IMPLIED OR STATUTORY, INCLUDING ANY WARRANTY OF MERCHANTABILITY, FITNESS FOR A PARTICULAR PURPOSE OR NON-INFRINGEMENT, OR THAT MAY ARISE FROM COURSE OF DEALING, COURSE OF PERFORMANCE OR USAGE OF TRADE. T&R does not extend this warranty, and Customer may not transfer it, to any third party; in the event this warranty is deemed to extend to any third party, this warranty shall be subject to all conditions and limitations of these Terms.

9. Limitation of Liability. The total, aggregate, and cumulative liability of T&R, and its affiliates, parent, subsidiaries, shareholders, directors, officers, employees, agents, assigns and their respective predecessors and successors, to Customer or any third party, whether by indemnity, in contract, guaranty or tort (including negligence or strict liability), by statute or under any other legal theory, shall in no event exceed the amount paid by Customer for the Product giving rise to such liability. The existence of multiple claims with respect to the same Product will not enlarge this limit.

Under no circumstances will T&R be liable to Customer or any third party, whether by indemnity, in contract, guaranty or tort (including negligence or strict liability), by statute or under any other legal theory, for any punitive, special, incidental, indirect or consequential damages or losses of any nature, even if Customer advised T&R in advance of the possibility of such damages, including without limitation loss of profit, loss of production, loss of contract, loss of revenue, cost of replacement power or temporary equipment, claims of Customer's customers, cost of money, loss of investment or business opportunity, increased operating costs, financing costs or government fines, penalties or sums due.

No action, regardless of form, arising with respect to any Product may be brought by Customer more than one year after the event giving rise to the cause of action occurred. T&R shall be entitled to the payment of its attorneys' fees and costs in the event T&R is forced to defend a legal action by Customer on a claim precluded by this section. The remedies of Customer set forth in these Terms are exclusive and include anything done in connection with the Products, such as the performance or breach of these Terms or the manufacture, sale, repair, replacement, delivery, resale or use of the Products.

Customer acknowledges that T&R set its prices, and agreed to sell the Products to Customer, in reliance on the limitations of liability, disclaimer of warranties, and remedies set forth in these Terms, and that such provisions form an essential basis of the bargain between the parties, without which T&R would not have agreed to sell the Products to Customer.

10. Delay Damages. In the event T&R fails to deliver a Product at the time required by an order, T&R's liability for such delay shall be limited by these Terms (including, but not limited to, Section 9 (Limitation of Liability)) and in no event shall exceed an amount equal to 5% of the purchase price of the Product at issue. Such compensation shall represent full and final satisfaction of T&R's liability for delay. Customer shall be entitled to the delay damages described in this section only if Customer substantiates through appropriate and reliable documents the damages it incurred due to the late performance of T&R. Customer shall be entitled to such damages only if T&R fails to meet the final shipment date of a Product; no delay damages shall apply with respect to any intermediate milestone or deliverable. Any amounts payable by T&R pursuant to this section shall be subject to the terms of Section 9 (Limitation of Liability), including the total, aggregate liability cap set forth therein. Customer shall use all reasonable efforts to mitigate the effect of any delay caused by T&R. In no event shall T&R be liable for delay damages where late shipment was caused by a force majeure event as defined in Section 7 (Force Majeure), a suspension of the work, a change order or modification to the Product requested by Customer, or any other act or omission of Customer or end-user which contributed to the delay at issue.

11. Intellectual Property. The sale by T&R of a Product does not convey or grant any license, express or implied, to Customer regarding any of T&R's intellectual property, including but not limited to any patents, copyrights, trademarks, trade secrets, designs, artwork or other proprietary rights, except Customer's non-exclusive right to use such intellectual property solely for the purpose of, and only to the extent necessary for, use of the Product in accordance with T&R's specifications or use documentation.

12. Transfer. In the event Customer sells, assigns or otherwise transfers a Product or any right or interest therein to a third party, such third party shall be bound by these Terms in the same manner as Customer. In the event such third party is for any reason determined to not be bound by these Terms, Customer shall indemnify, defend and hold harmless T&R from and against all liability of T&R to such transferee or any subsequent transferee in excess of what T&R's liability would have been if such transferee had been bound by these Terms in the same manner as Customer.

13. Title; Risk of Loss. Title to the Products will pass to Customer at the point of delivery to Customer. Risk of loss of the Products will pass to Customer upon the earlier of the invoicing date or the date of delivery to Customer. Until such time as Customer has paid T&R in full for a Product, Customer shall perform all acts necessary to protect the Product free of claims, demands, liens and encumbrances, to insure the Product for its full replacement value at Customer's expense, and, to the extent Customer owes T&R any amount under the purchase order, hold the proceeds of any insurance claim in respect of the Product in trust for T&R.

Without prejudice to any other remedy or right of T&R, if Customer fails to timely pay for a Product delivered to Customer, T&R may take possession of the Product and sell it. Customer irrevocably authorizes T&R or its agents to enter any premises owned, leased or otherwise occupied by Customer for the purpose of taking possession of the Product. If T&R takes possession of and sells a Product, Customer continues to be liable to T&R for an amount equal to the aggregate of the unpaid amounts and costs and expenses incurred by T&R in taking possession of, transporting, storing and selling the Product, less an amount equal to the proceeds of the sale.

14. Contract Variations. The following terms apply to purchase order variations.

Drawing Approval and Changes: If Customer approval of drawings is required, such review, comment or approval must be received by T&R no later than 14 calendar days after submittal of drawings by T&R to Customer. If Customer fails to meet this requirement, or if the Product has not otherwise been released to production within 30 calendar days of written order acknowledgement by T&R, the order shall be subject to adjustment of price and shipment terms. Where Customer's specifications are not sufficiently detailed, T&R reserves the right to design the Product in accordance with T&R's professional judgment and good commercial practices. If at any time Customer makes changes to a design as covered in Customer's specifications, the order shall be subject to adjustment of price and shipment terms to reasonably cover any additional costs and commitments caused by the change.

Hold: An order placed on hold by Customer for any reason, or by T&R while awaiting payment of overdue invoices, will be taken out of the production schedule. If/when the hold is removed, the order will be rescheduled from that subsequent release date at the then prevailing lead-time, and Customer shall be responsible for all additional costs and expenses associated therewith.

Change Order: A change order submitted by Customer for a previously acknowledged purchase order is subject to additional charges. Changes to purchase orders that have not been released for production are subject to price adjustments for changes to the Products and the costs of technical and administrative services, as well as applicable material and/or restocking costs. Changes made to purchase orders that have been released to production are subject to these same price adjustments, plus \$500 per change for production disruption and inefficiency costs. Lead-time extensions may result, depending on the nature of the changes.

Customer Supplied Material: In the event T&R agrees to install Customer-supplied material, the following additional terms shall apply:

(i) T&R will not be responsible for delays in shipment caused by delays in the receipt of Customer-supplied material. Such delays will be subject to possible price adjustments due to Customer-induced delays and disruptions.

(ii) Customer shall supply T&R all applicable technical data and drawings, in sufficient detail as determined by T&R, at time of order entry, so as to ensure the Product design can be made to accommodate form, fit, function and interface with Customer-supplied material.

(iii) Failure by Customer to supply the correct material per the detailed technical data supplied at the time of order may result in delays in shipment and price adjustments.

T&R will not be responsible for Customer-supplied material that is inferior, damaged or defective. In such an event, delays in shipment may result and shall be subject to price adjustments in favor of T&R.

Service Conditions: Liquid-filled transformer products supplied by T&R shall be suitable for operation within the "usual service conditions" as defined in IEEE Standard C57.12.00, Section 4.1. These usual service conditions include, without limitation, the following:

(i) The transformer is designed for step down duty.

(ii) The transformer is designed for operation at the rated kVA, at 3300 feet altitude, without exceeding temperature limits, provided the average temperature of the ambient air does not exceed the limits as listed below. The dielectric strength of the bushings and arrestors will be suitable to allow satisfactory operation at 3300 feet.

(iii) The temperature of the ambient air may not exceed 40 degrees C at any one time and the average temperature of the ambient air, for any 24 hour period, may not exceed 30 degrees C.

(iv) The input voltage when applied to any rated tap, at rated frequency, may not result in an output voltage greater than 110% at no load, and 105% at rated output load. The output load power factor must be 80% or better.

(v) When unusual or special service conditions occur or exist, such as damaging or explosive vapors, abnormal vibrations, shocks, transportation or storage conditions, poor wave form, unbalanced voltage, or planned regular short circuits, or service conditions other than those described in (i), (ii), (iii) or (iv) above, it is the responsibility of Customer to bring these conditions to the attention of T&R at the time a quotation is requested by Customer.

Failure by Customer to expressly provide advance notice to T&R of any unusual or special service conditions which do not meet the above shall render the Product warranty void.

15. Termination by Customer. An order or contract may be terminated by Customer only by written notice to T&R and upon payment to T&R of the termination charges described in this section, which must be paid with 30 days of the notice of termination.

Where the order is in process, but the Product is not released for manufacture, cancellation charges paid by Customer to T&R shall equal the cost of materials that are not useable on other orders, plus 20% of the price of the Product noted on the purchase order.

Where the order is in process and the Product is released for manufacture, the following charges shall be paid by Customer to T&R, based on stage of production:

If engineering is complete, 25% of the Product price

If purchasing is complete, 50% of the Product price

If materials have been received by T&R, 75% of the Product price

Within six weeks of acknowledged date of shipment, 100% of the Product price

16. Suspension by Customer. Any order held or delayed or rescheduled at the request of Customer shall be subject to the prices and conditions of sale in effect at the time of the release of the hold or reschedule. Any such order held or delayed beyond 30 calendar days will be treated as a Customer termination pursuant to Section 15 (Termination by Customer).

17. Delayed Shipment; Storage. When a Product is ready for shipment and shipment cannot be made because of reasons beyond T&R's control, T&R shall submit an invoice for the Product due and payable in accordance with the agreed payment terms, and T&R, upon written notice to Customer, shall store the Product, subject to the terms of this section.

Notwithstanding anything to the contrary herein, risk of loss of the Product shall pass to Customer upon moving the Product to storage. All expenses incurred by T&R in connection with the storage of the Product, including demurrage, cost of preparation for storage, storage charges, insurance and handling charges, shall be payable by Customer upon submission of invoices by T&R.

T&R, in its sole discretion, may agree to store completed Products for a maximum of two weeks at no additional charge on a space available basis, with the understanding and the hereby expressed consent of Customer that the date of invoice will be the date the Product was originally scheduled to ship and that payment terms will not be changed. After such two-week timeframe, a storage charge of \$250 per Product per week, or part thereof, will be assessed and billed monthly to Customer.

18. Termination by T&R. T&R shall have the right to terminate an order at any time in the event Customer breaches these Terms. T&R shall notify Customer of termination by written notice.

19. Returning of Product. No Product may be returned to T&R by Customer, except with the prior written agreement of T&R and subject to the terms specified therein by T&R.

20. Product Notices. Customer shall provide the end-user of a Product with all T&R-supplied Product and patent notices, warnings, instructions, recommendations and similar materials. Under no circumstances shall Customer or the end-user remove any such information which may be affixed to the Product or to the related materials shipped with the Product.

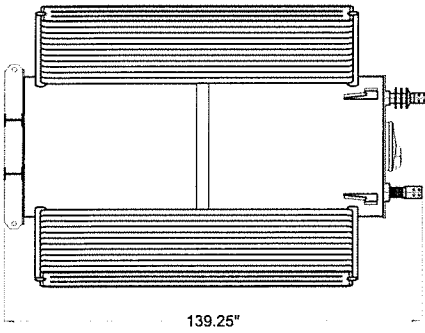
21. United States Export Controls. Customer acknowledges that the Products and all documentation and other technical information delivered pursuant to these Terms is subject to export controls under U.S. laws, including but not limited to the Export Administration Act and the regulations promulgated thereunder. Customer shall comply with all legal requirements established under these controls and cooperate fully with T&R in any official or unofficial audit or inspection that relates to these controls. Customer shall not export, re-export, divert or transfer, directly or indirectly, the Products or any documentation or other technical information delivered pursuant to these Terms to any country, or to the nationals of any country, which the U.S. government determines is a country to which such export, re-export, diversion, transfer or disclosure is restricted. Customer shall defend, indemnify and hold harmless T&R from and against any claims, liability and expenses arising from or related to any breach of this section by Customer. T&R's obligation to deliver the Products to Customer is conditioned upon Customer's attainment of all required licenses and permits.

22. Testing and Acceptance of Goods. Testing of the Products before shipment is done in accordance with T&R's standard factory test procedures. Upon Customer's request, T&R will provide test reports for the Products. In the event Customer requests testing other than T&R's standard factory tests and/or requests witness testing and/or inspections, Customer shall pay for all such additional testing, witness costs, and all associated charges.

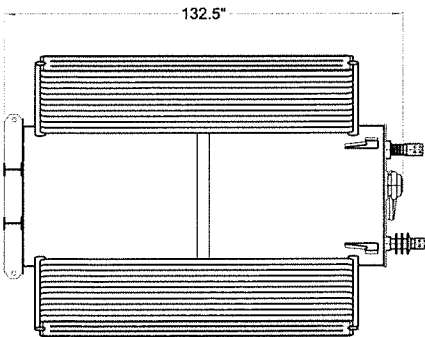
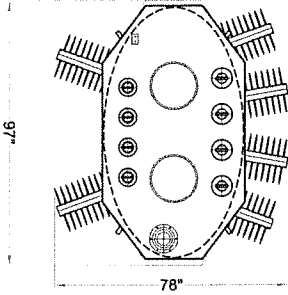
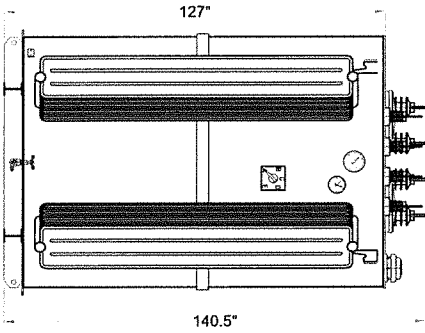
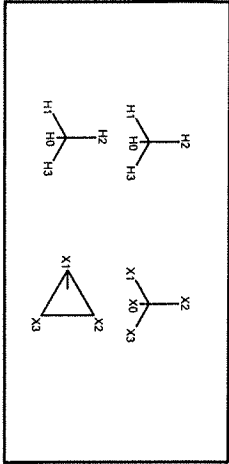
23. Severability. If any provision of these Terms is found to be in violation of law or unenforceable, the remainder of these Terms shall remain in full force and effect.

24. No Assignment. Neither these Terms nor any rights, interest or benefits of Customer hereunder may be assigned by Customer to any other party, except upon the prior written consent of T&R.

25. Disputes; Choice of Law; Venue. If any dispute arises under these Terms between Customer and T&R, no action, suit, arbitration or other proceeding may be commenced before the parties have attempted to resolve the dispute pursuant to mediation, unless immediate injunctive relief is being sought. The validity, performance, construction, and effect of any purchase order which is subject to these Terms shall be governed by the laws of the State of South Dakota, without regard to its choice of law rules or those of any other jurisdiction. The parties agree that the United Nations Convention on Contracts for the International Sale of Goods shall not apply to any Products sold by T&R to Customer or any agreement or dispute between the parties. The sole and exclusive jurisdiction and venue for any legal action arising from or related to a dispute between T&R and Customer with respect to the Products, a purchase order, these Terms or any related matter shall be in the federal or state courts located in the State of South Dakota, and the parties consent to such jurisdiction and venue.



General Notes:
 1. The precise location, quantity and type of gauges, valves, pressure relief's, bushings, fans and other components shown are subject to change prior to fabrication.
 2. Reconditioned T&R ELECTRIC Substation Transformer.



http://www.t-r.com
 E-mail: sales@trelectric.com
 Toll Free: 1-800-843-7994
 Local: 1-605-534-3555
 Fax: 1-605-534-3861

Δ REVISIONS Δ			
#	Date	Description	App.By
Preliminary Prints For Approval Only			

Title: 5000 KVA Three Phase Substation		Destination:	Work Order #
Details:		PCB Number:	Record ID:
Primary: 13800Y/7970		1073FB	560975
Secondary: 2400/4160Y/2400 w/ Taps		Scale:	Draftsman:
		1:40	Salesman:
			Drawn Date: 4/20/2010
		Approved By:	Sheet #
		Approval Date:	1 of 1