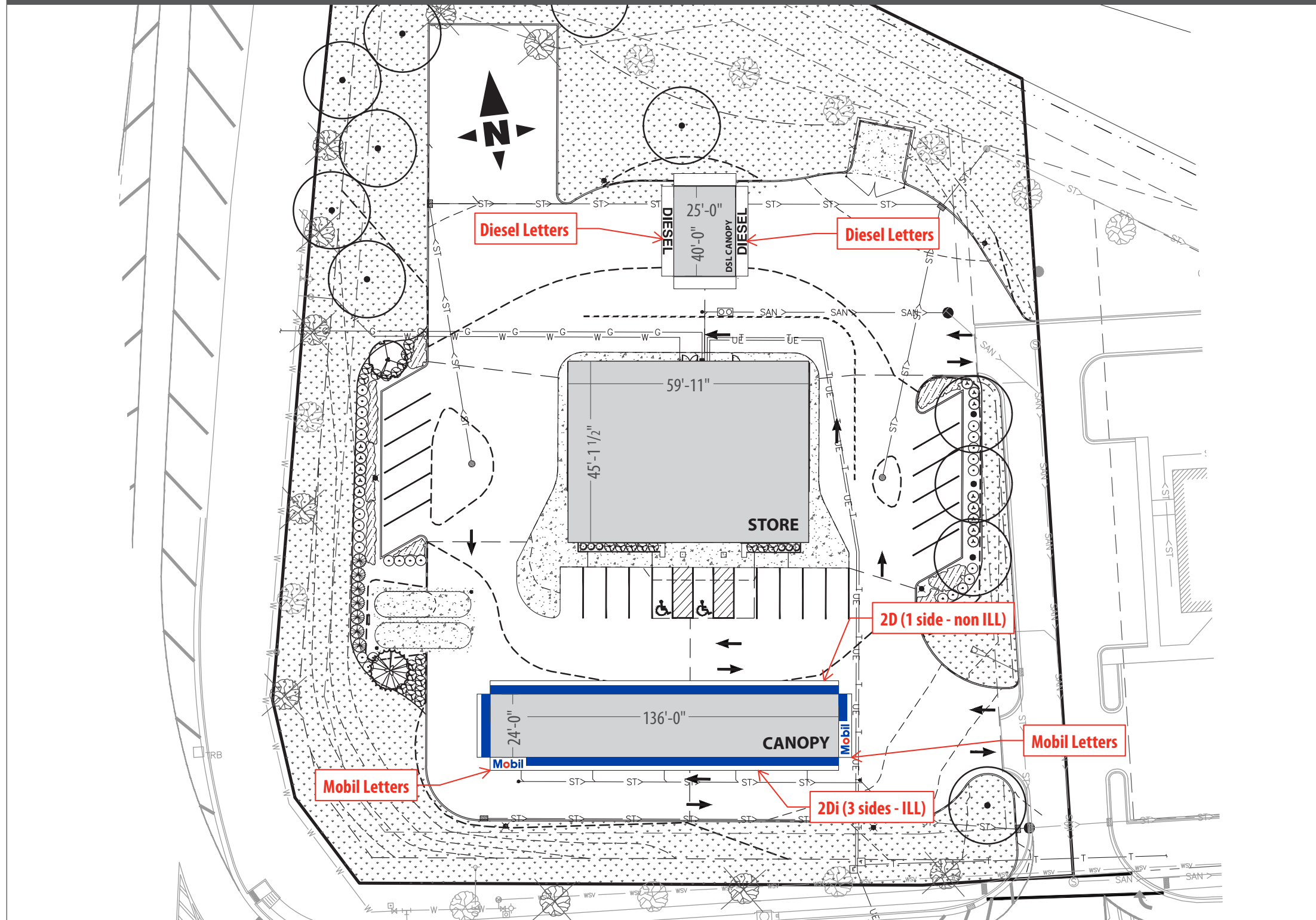


N. 7th St. & E. Flagg Rd.



CORPORATE IDENTIFICATION SOLUTIONS

CUSTOMER
Circle K

SITE NUMBER
N/A

LOCATION
Rochelle, IL

ACCOUNT REP
JJ Weber

DRAWN BY
KL

DATE
09/13/19

REVISION
01

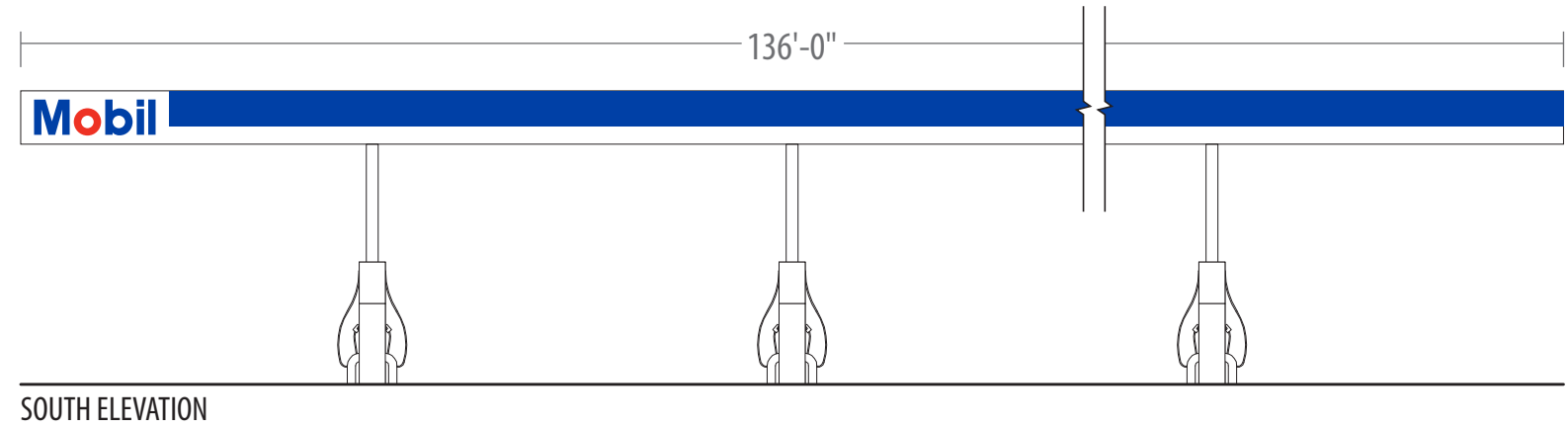
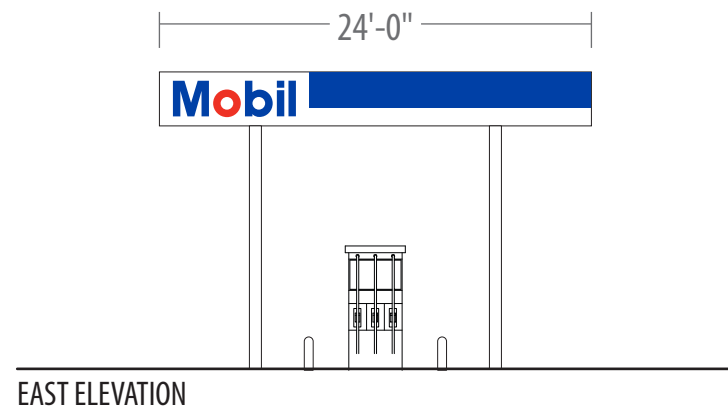
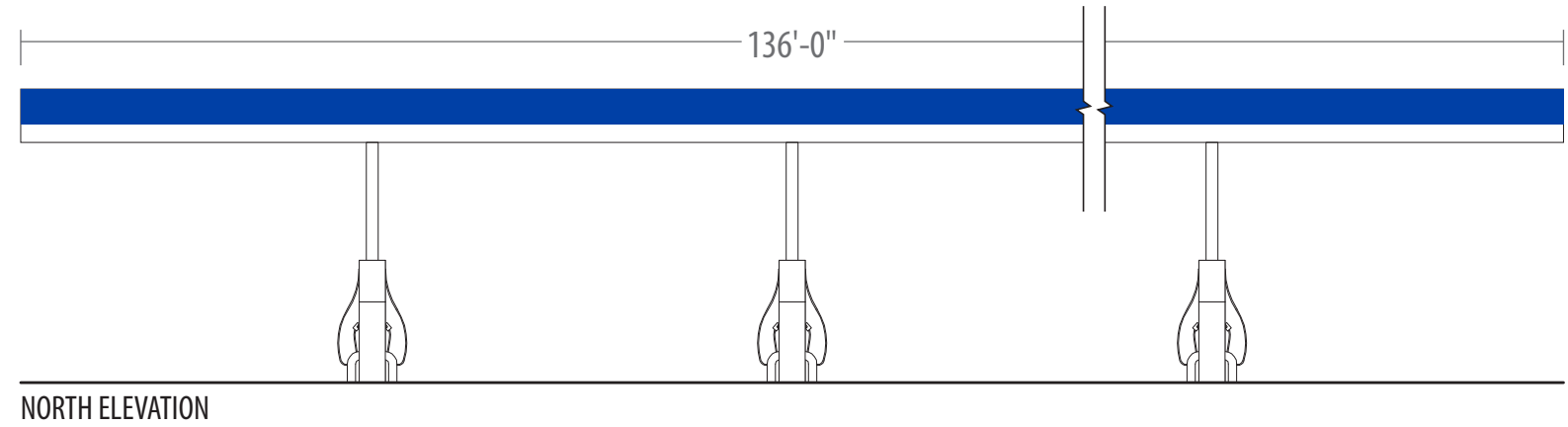
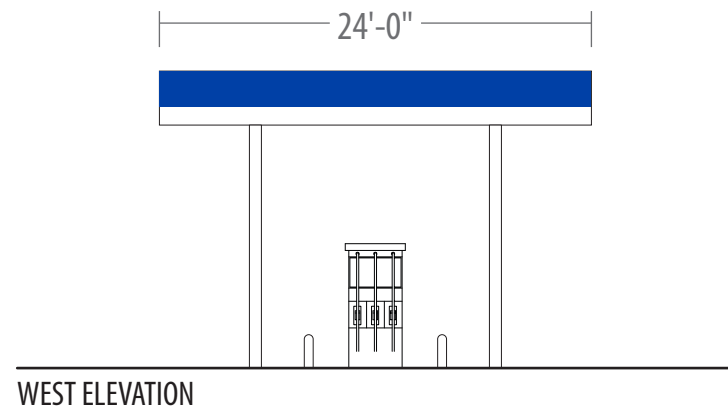
SCALE
NTS

CORPORATE ID SOLUTIONS
5563 N Elston Ave.
Chicago, IL 60630
P: 773-763-9600 | F: 773-763-9606
www.CorporateIDSolutions.com

CUSTOMER ACCEPTANCE

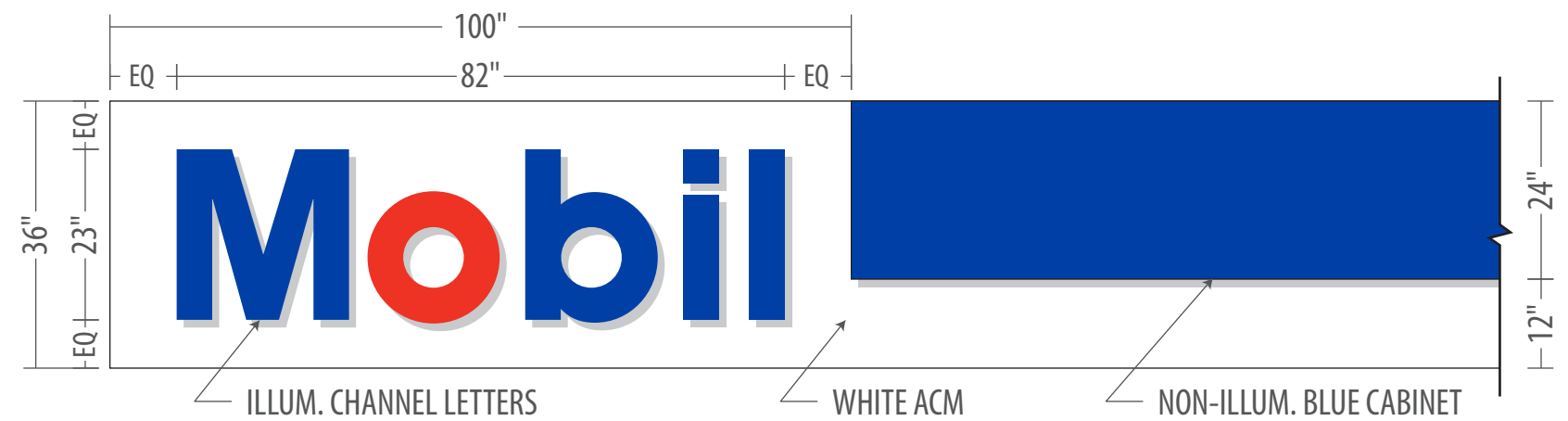
THIS DRAWING IS THE PROPERTY OF CORPORATE IDENTIFICATION SOLUTIONS, INC. CHICAGO, ILLINOIS, AND CONTAINS PROPRIETARY AND CONFIDENTIAL INFORMATION. THIS DRAWING IS TRANSFERRED TO THE CUSTOMERS AND SUPPLIERS OF CORPORATE IDENTIFICATION SOLUTIONS, INC BY WAY OF LOAN. THIS DRAWING MAY NOT BE COPIED OR REPRODUCED, IN WHOLE OR IN PART, NOR MAY IT OR THE INFORMATION IT CONTAINS BE DISCLOSED OR TRANSFERRED TO ANY OTHER PARTY OR PERSONS WITHOUT THE PRIOR WRITTEN CONSENT OF CORPORATE IDENTIFICATION SOLUTIONS, INC.

SIGNATURE _____ **DATE** _____



FIELD VERIFY ALL DIMENSIONS PRIOR TO MANUFACTURE

EAST ELEVATION			
Gas Island Canopy Fascia	36" x 24'-0"	72 SF	18% of available space
Illuminated Mobil Letters	23" x 82"	13.1 SF	
SOUTH ELEVATION			
Gas Island Canopy Fascia	36" x 136'-0"	408 SF	3.0% of available space
Illuminated Mobil Letters	23" x 82"	13.1 SF	
NORTH ELEVATION			
Non Illuminated blue band			
WEST ELEVATION			
Non Illuminated blue band			



CORPORATE IDENTIFICATION SOLUTIONS

CUSTOMER
Circle K
SITE NUMBER
N/A

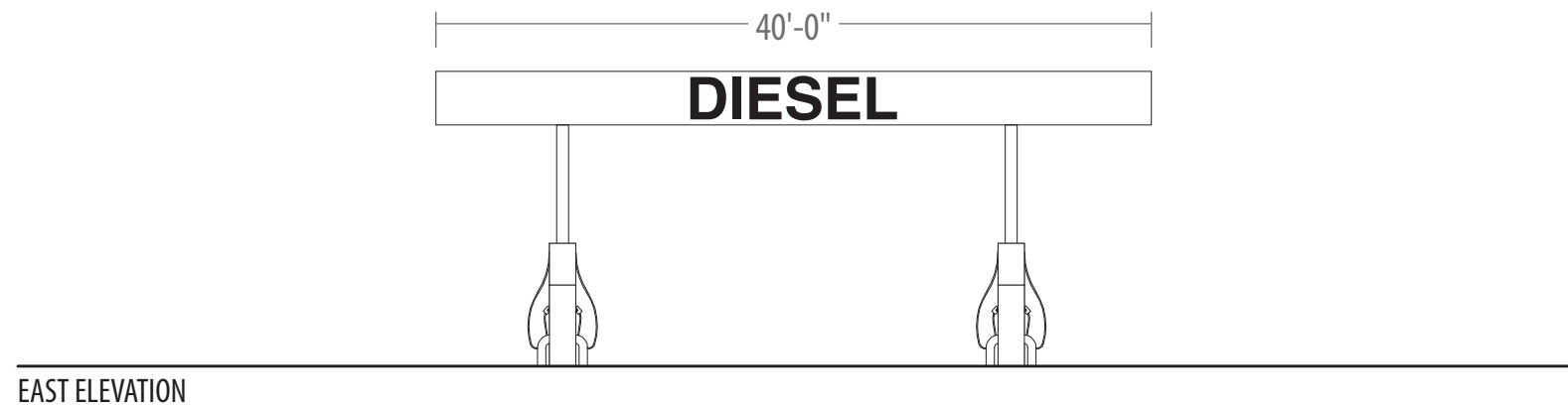
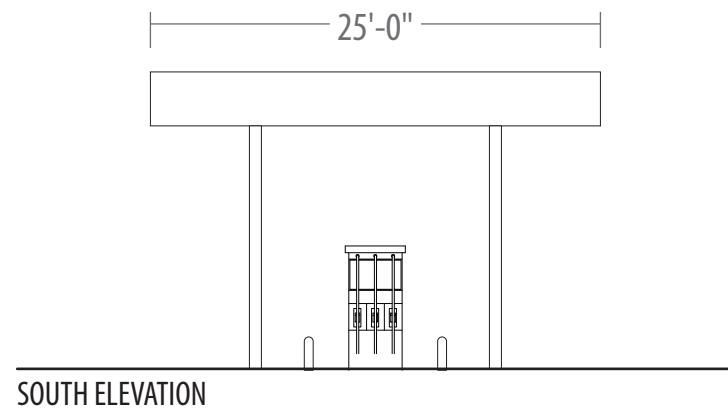
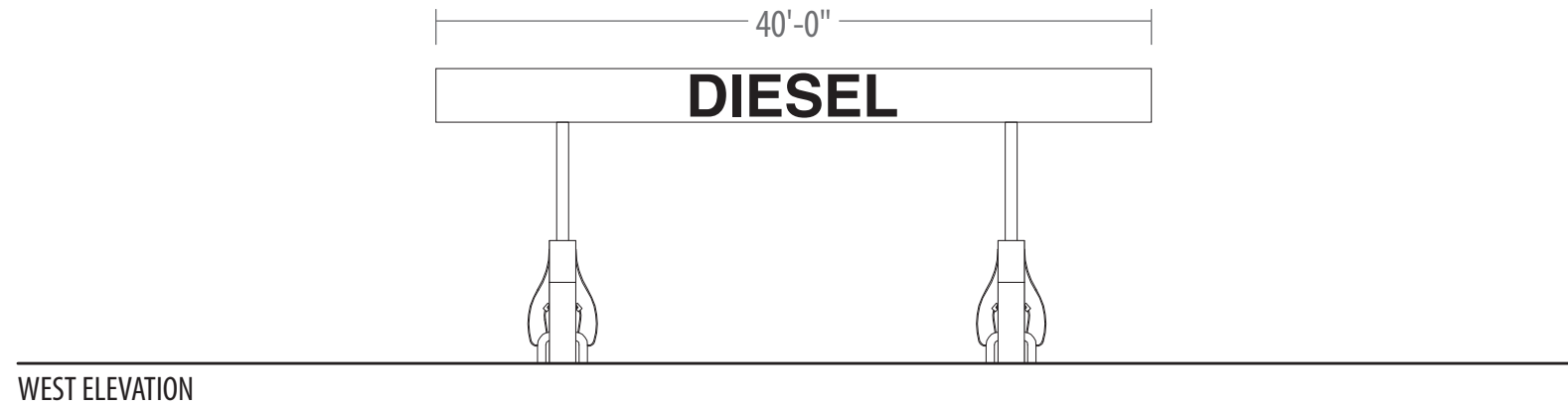
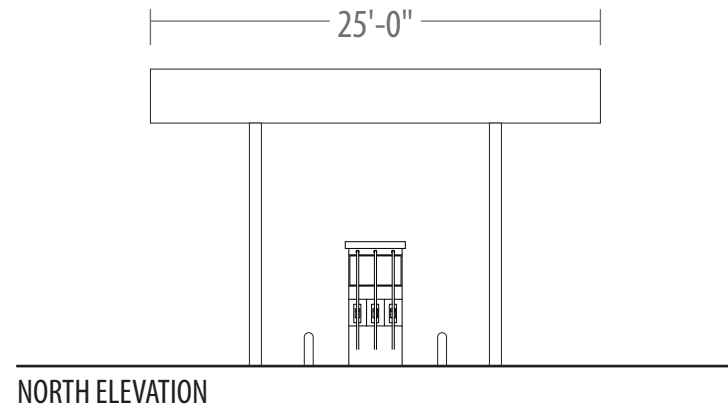
LOCATION
Rochelle, IL
ACCOUNT REP
JJ Weber

DRAWN BY
KL
DATE
09/13/19

REVISION
01
SCALE
NTS

CORPORATE ID SOLUTIONS
5563 N Elston Ave.
Chicago, IL 60630
P: 773-763-9600 | F: 773-763-9606
www.CorporateIDSolutions.com

CUSTOMER ACCEPTANCE
THIS DRAWING IS THE PROPERTY OF CORPORATE IDENTIFICATION SOLUTIONS, INC. CHICAGO, ILLINOIS, AND CONTAINS PROPRIETARY AND CONFIDENTIAL INFORMATION. THIS DRAWING IS TRANSFERRED TO THE CUSTOMERS AND SUPPLIERS OF CORPORATE IDENTIFICATION SOLUTIONS, INC BY WAY OF LOAN. THIS DRAWING MAY NOT BE COPIED OR REPRODUCED, IN WHOLE OR IN PART, NOR MAY IT OR THE INFORMATION IT CONTAINS BE DISCLOSED OR TRANSFERRED TO ANY OTHER PARTY OR PERSONS WITHOUT THE PRIOR WRITTEN CONSENT OF CORPORATE IDENTIFICATION SOLUTIONS, INC.
SIGNATURE _____ DATE _____



FIELD VERIFY ALL DIMENSIONS PRIOR TO MANUFACTURE

EAST ELEVATION			
Gas Island Canopy Fascia	36" x 25'-0"	75 SF	38.3% of available space
Diesel Letters	30" x 138"	28.75 SF	
SOUTH ELEVATION			
Gas Island Canopy Fascia	36" x 40'-0"	120 SF	24% of available space
Diesel Letters	30" x 138"	28.75 SF	
NORTH ELEVATION			
Non Illuminated blue band			
WEST ELEVATION			
Non Illuminated blue band			



CORPORATE IDENTIFICATION SOLUTIONS

CUSTOMER
Circle K

SITE NUMBER
N/A

LOCATION
Rochelle, IL

ACCOUNT REP
JJ Weber

DRAWN BY
KL

DATE
09/13/19

REVISION
01

SCALE
NTS

CORPORATE ID SOLUTIONS
5563 N Elston Ave.
Chicago, IL 60630
P: 773-763-9600 | F: 773-763-9606
www.CorporateIDSolutions.com

CUSTOMER ACCEPTANCE

THIS DRAWING IS THE PROPERTY OF CORPORATE IDENTIFICATION SOLUTIONS, INC. CHICAGO, ILLINOIS, AND CONTAINS PROPRIETARY AND CONFIDENTIAL INFORMATION. THIS DRAWING IS TRANSFERRED TO THE CUSTOMERS AND SUPPLIERS OF CORPORATE IDENTIFICATION SOLUTIONS, INC BY WAY OF LOAN. THIS DRAWING MAY NOT BE COPIED OR REPRODUCED, IN WHOLE OR IN PART, NOR MAY IT OR THE INFORMATION IT CONTAINS BE DISCLOSED OR TRANSFERRED TO ANY OTHER PARTY OR PERSONS WITHOUT THE PRIOR WRITTEN CONSENT OF CORPORATE IDENTIFICATION SOLUTIONS, INC.

SIGNATURE _____ DATE _____